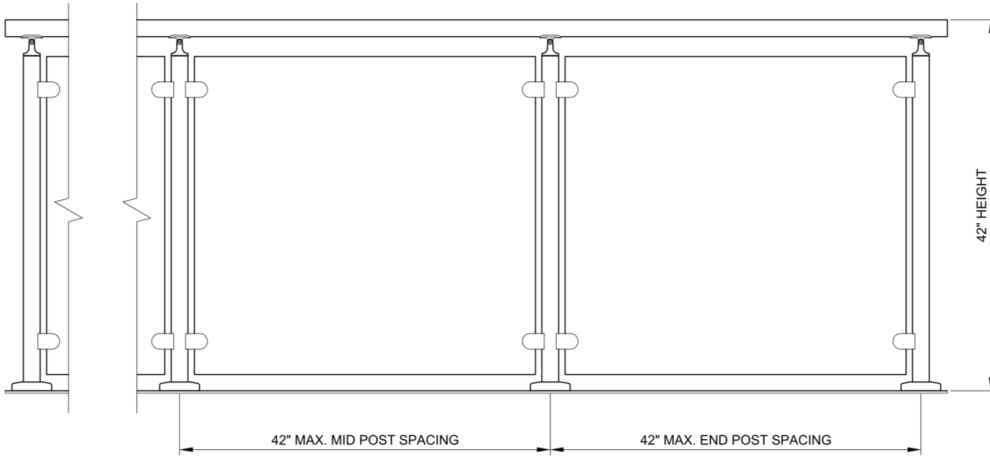
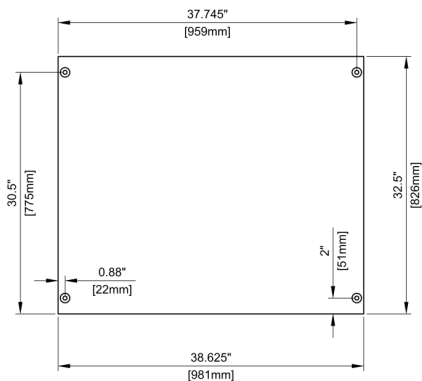


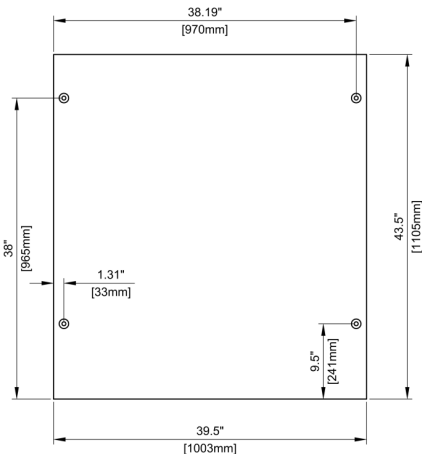
Maximum post spacing and standard post heights:



Glass size and hole locations for the standard inline "D" glass clips:

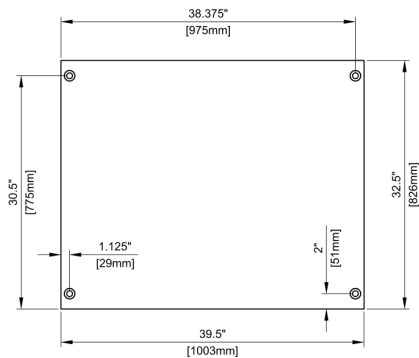


Minimum

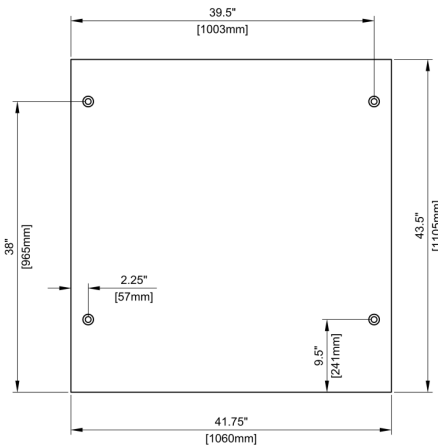


Maximum

Glass size and hole locations for the flat bar style clips:

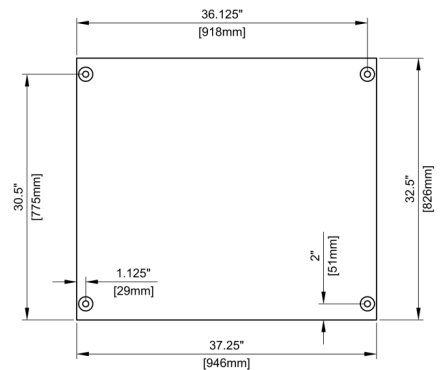


Minimum

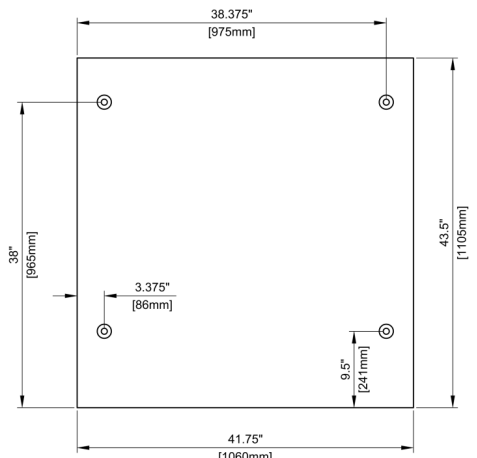


Maximum

Glass size and hole locations for the spider style glass clips:



Minimum



Maximum