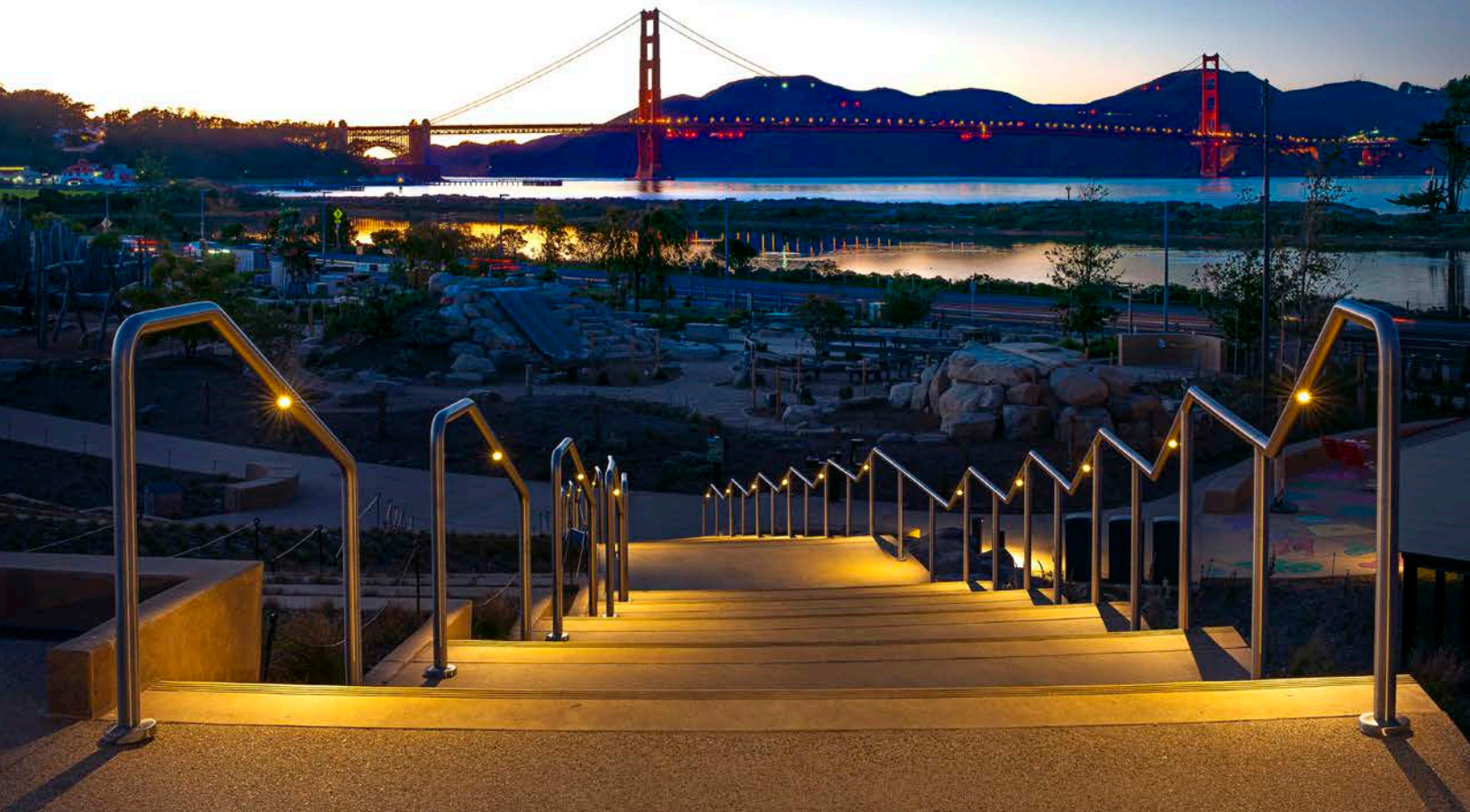


LUMENRAIL®



Architectural Systems

For Life Safety and Light

Wagner Architectural Systems is a leading global provider of architectural railing systems dedicated to producing life safety and lighting products that meet the highest standards of quality, engineering and code compliance.

We work with architects, lighting designers, engineers and contractors to deliver complete product systems, or to custom-engineer and fabricate design-specific railing and panel solutions that provide safety, assist navigation, and elevate the aesthetic of the built environment within common space designs.

With expertise in manufacturing, code requirements and LEED building standards, we are a partner who can meet your specifications and deliver installations with the fit, finish and performance you desire.

COVER: Presidio Tunnel Tops Park
San Francisco, CA
Design: James Corner Field Operations
Photo © Wayne Cable
Lumenpod® 28, Asymmetric, 3000 K

Marquette University, The Commons
Milwaukee, WI
Architect: Workshop Architects
Lumenlinear™, 3000 K & Lumenpost™
100W Integrated Dimming Driver

Jones Beach Boardwalk Cafe
Wantagh, NY
Design: Beyer Blinder Belle, DGA
Lumenlinear™, Asymmetric, 3000 K

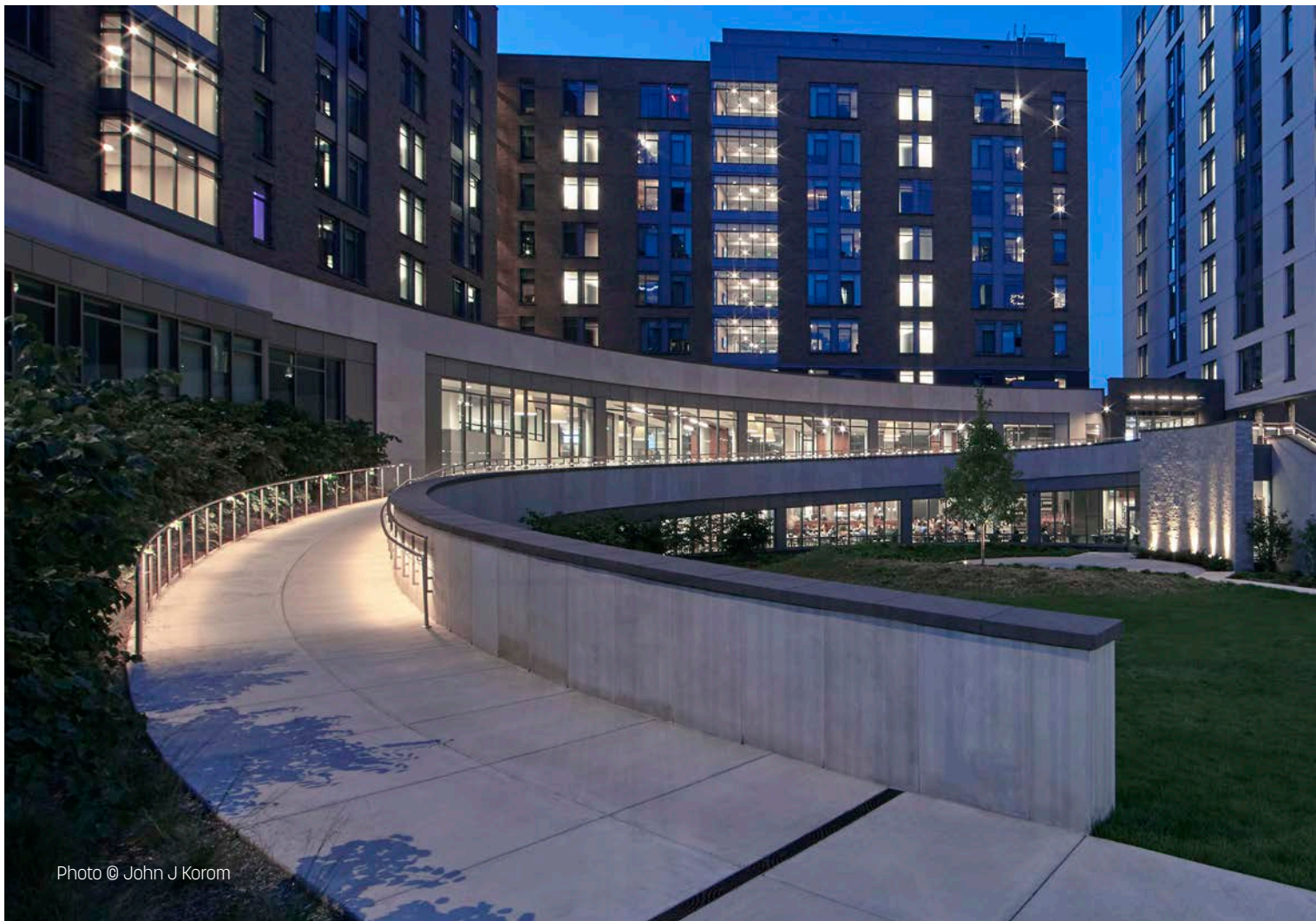




Photo © John Bartelstone



- Introduction 2**
- Lumenrail® 5**
 - Lumenpod® 6**
 - Lumenpod® 16 9**
 - Lumenpod® 28 10**
 - Lumenpod® 30 13**
 - Bantam™ 14**
 - Bantam™ SQ 17**
- Lumenlinear™ 18**
- Strong Finish..... 20**
- Lumengear™ 21**
- Lumenpost™ 22**
- Wagner Code Compliance..... 23**
- SiteRacks™ 24**
- Wagner Service 26**
- Lumenrail® Service Options 27**
- Wagner Systems..... 28**
- Additional Wagner Systems 30**



↓ 9th Avenue ↓

Dear
New York,
Now Fashionably
On Time.

Train Hall
Offices B & C

Offices B & C
9th Avenue

33rd Street - New Jersey
Offices A1 & 2



Photo © D.A.D.

Lumenrail® Illuminated Rail Systems

*Hunters Point South Park
Long Island City, Queens, NY
Design: SWA/Balsley, Weiss/Manfredi, Arup
Lumenlinear™, 3500 K*

Common areas and pedestrian walkways have specific lighting requirements to ensure safe navigation and access in dark or low-light conditions. These same walkways also require the use of handrails to protect, guide and assist pedestrians on ramps, landings, stairs and balconies. Lumenrail® combines these lighting and life-safety requirements into one seamless, illuminated and protective assembly.

Lumenrail produces enough light to help pedestrians distinguish objects and obstacles clearly and without glare—often eliminating the need for additional lighting sources. Depending on the type of installation or your design specifications, Lumenrail can serve as the primary light source or as supplemental decorative lighting in your design.

The Lumenrail illuminated handrail system utilizes linear or point source luminaries with current LED technology for exceptional flexibility, performance and longevity. The architectural grade finish and non-weld connections ensure beauty and durability under all conditions. With multiple mounting and infill options, Lumenrail is compatible with most handrail designs including wall and guardrail mounting, embedded posts, glass railing systems, cable railings, and stainless steel woven wire panels.

*Moynihan Train Hall
New York City, NY
Design: McKim, Mead and White, DGA
Lumenlinear™, 3000 K*

Lumenpod®

Point Source Illumination

Create code-compliant lighting layouts for your most challenging handrail designs. Our Lumenpods® are a family of compact, point source LED fixtures that are ideal for pathway illumination. They feature symmetric, asymmetric and post mount options to address variable path widths, curves and elevation changes on stairs, ramps and landings. Your choice of on-center spacing can generate perfectly uniform illumination or intriguing pools of light.

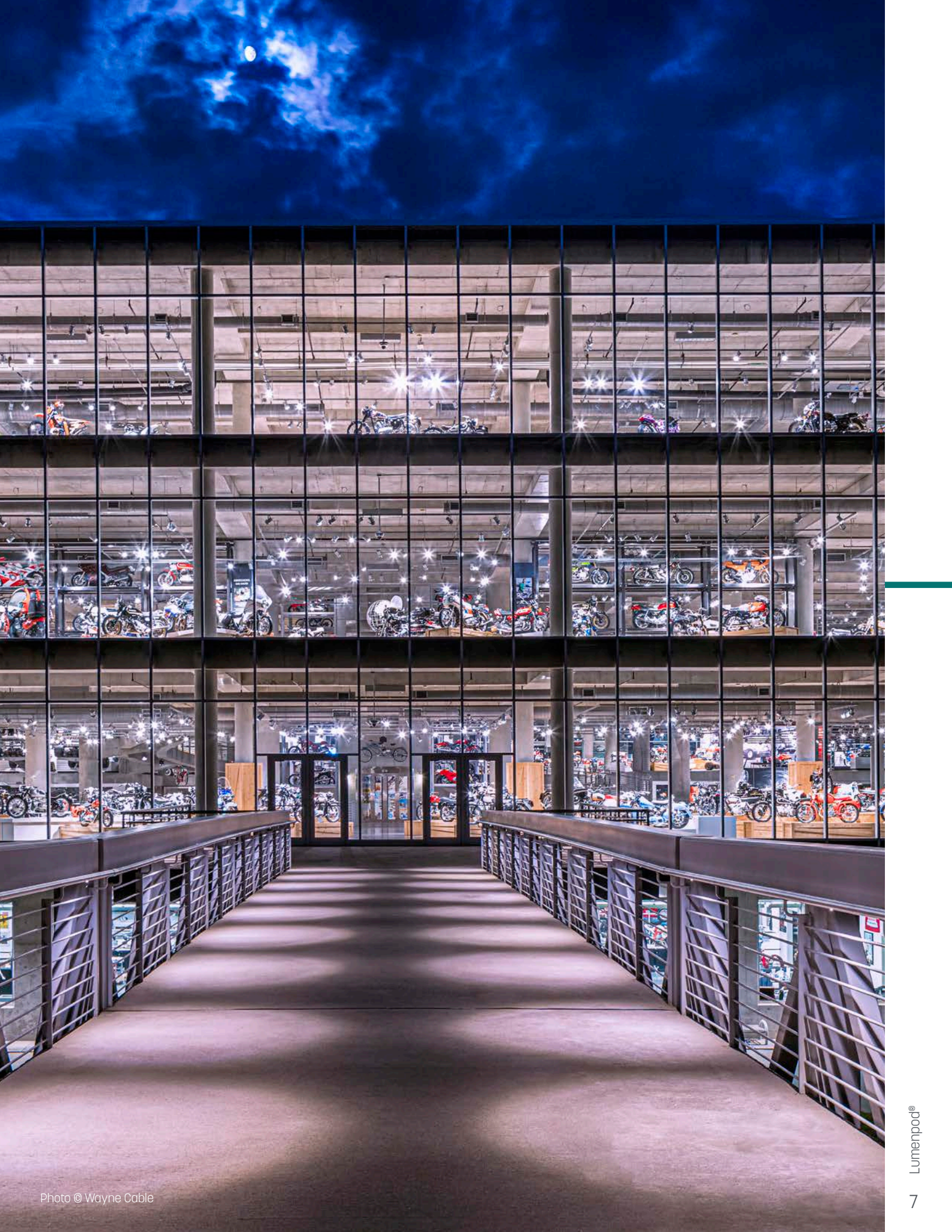
The Lumenpod family includes threaded or patented snap-fit luminaires with subtle architectural detailing. Each variation is designed for a flush fit and integrates seamlessly into curved or helical installations, as well as straight runs, square or flat hollow materials. The low voltage, high-performance designs make them an efficient and adaptable lighting solution.

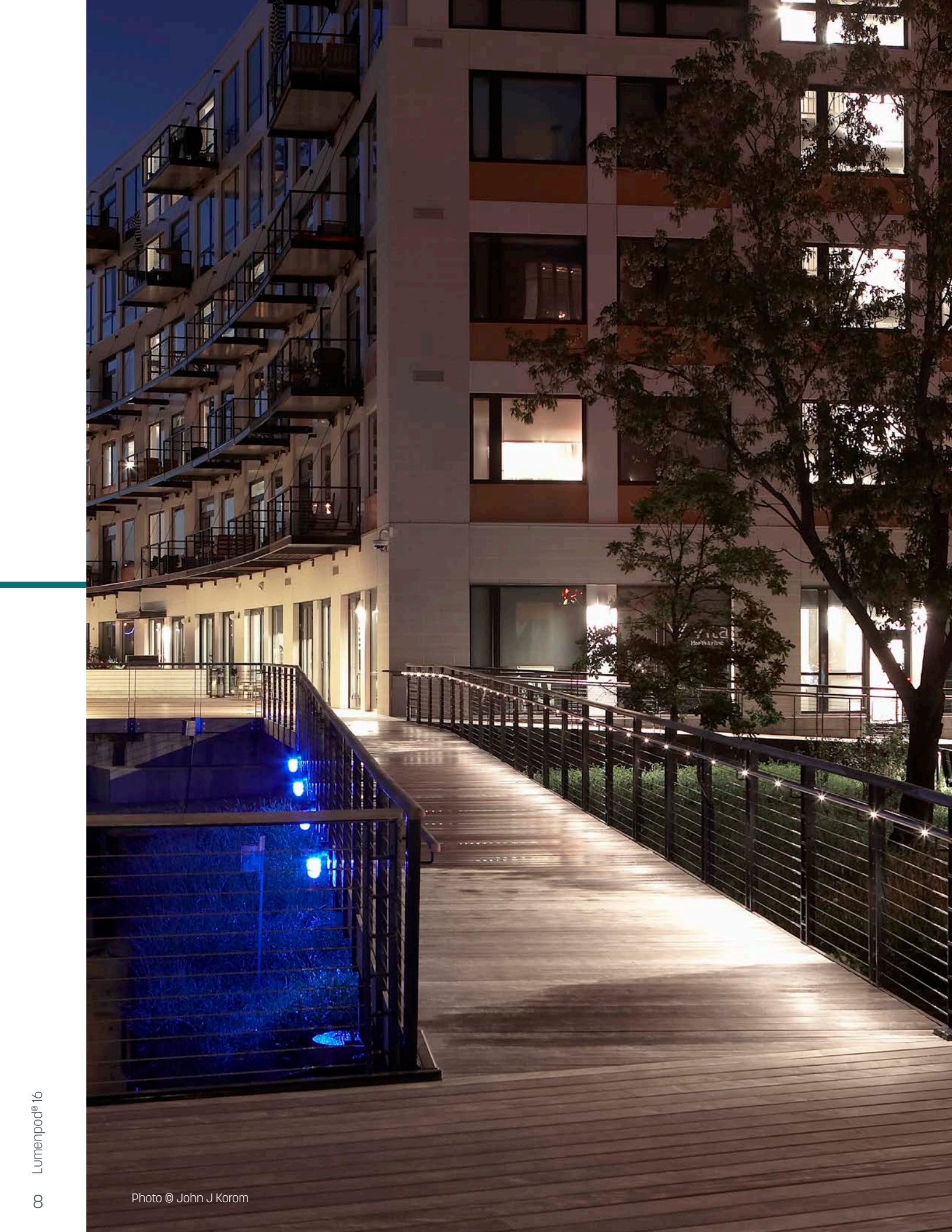


Photo © WJLA

*Korean War Veterans Memorial
Washington, DC
Design: National Parks Service, Flux Studio
Lumenpod® 16, Projector, 3500 K*

*Barber Vintage Motorsports Museum Bridge
Birmingham, AL
Architect: Williams Blackstock Architects
Point Source Fixtures, 3500 K on 7' Centers*





Lumenpod® 16

Compact Performer

This flexible point source luminaire has performance that far exceeds the expectations of its discreet 5/8" diameter. With 2.2 system watts @ 500mA and 95 lumens, this mechanically threaded luminaire is designed for pathway illumination with mounting options for handrail, guard, shelter or entry structures. Asymmetric performance can be precisely achieved by rotating the fixtures up to 25° on the rail diameter.

The Lumenpod® 16 provides a broad range of application solutions with 5 IES file-supported optical distributions, multiple white CCTs and static colors available. The IP67 & IK10 ratings and dedicated installation tool combine environmental and vandal resistance with a simple installation. The Lumenpod 16 is an ideal low-profile architectural solution for new or retrofit applications and egress compliance opportunities.

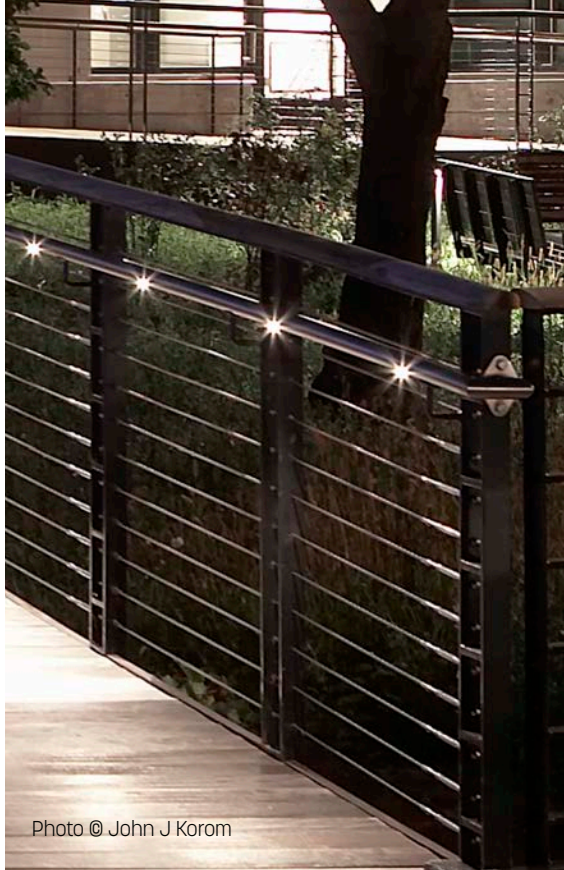


Photo © John J Korom



Trestle Park

*Historic Third Ward Milwaukee, WI
Architect: HGA Architects and Engineers
Lumenpod® 16, Asymmetric Orientation, 3000 K*

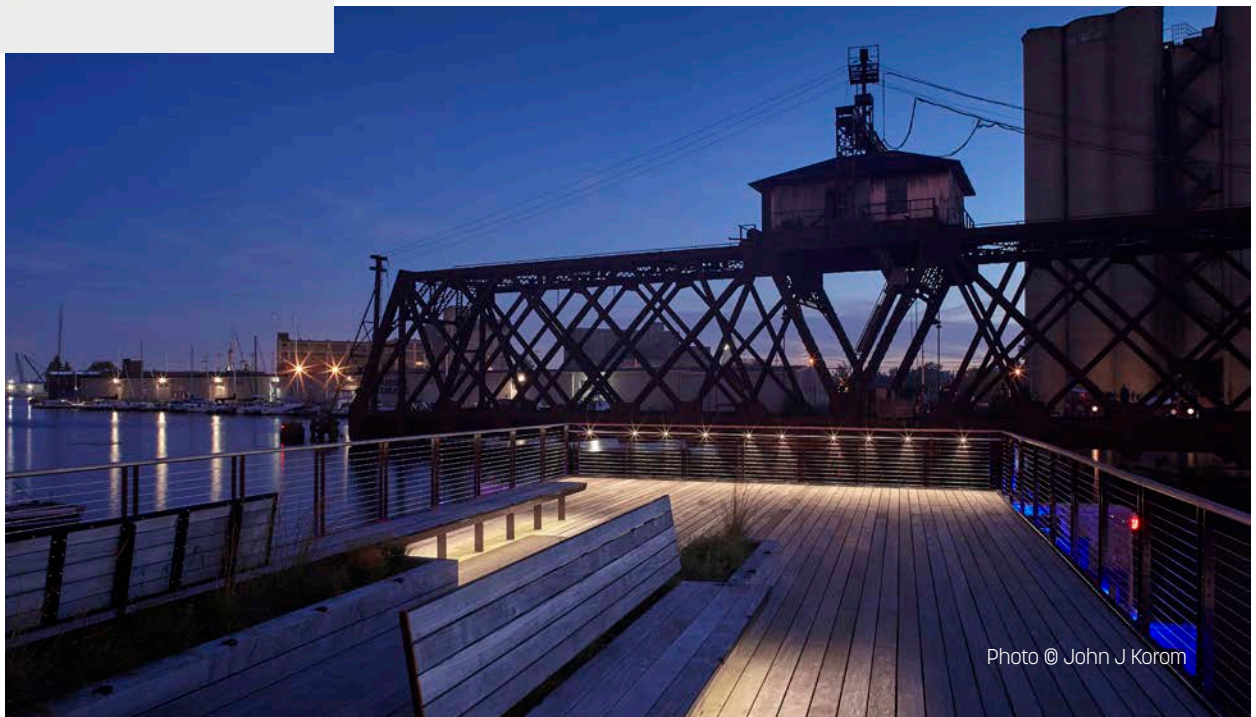


Photo © John J Korom

Lumenpod® 28

Flush Profile Luminaire

The evolution of the handrail point source from Wagner Architectural Systems has performance that employs the latest LED technology and manufacturing techniques. This USA-engineered and manufactured luminaire is designed for pathway, stair and ramp illumination. Both the asymmetric and symmetric versions have optical characteristics developed specifically for these applications with 2.2 system watts @ 500mA and 121 lumens. The Lumenpod® 28's cast 316 stainless steel face provides a flush-profile architectural solution for new or retrofit projects, including egress compliance opportunities. Superior harsh environment protection and vandal resistance are combined with a straightforward, push-in installation. **US Patent #10,612,734 B2**



Photo © Bellingham Marine Industries / Cliff Norton

Palm Beach Town Marina
Palm Beach, FL
Design: Bellingham Marine Ind.
Lumenpod® 28, Asymmetric, 3500 K



Resorts World Las Vegas
Las Vegas, NV
Architect: Steelman Partners
Lumenpod® 28, Asymmetric
& Symmetric, 3000 K

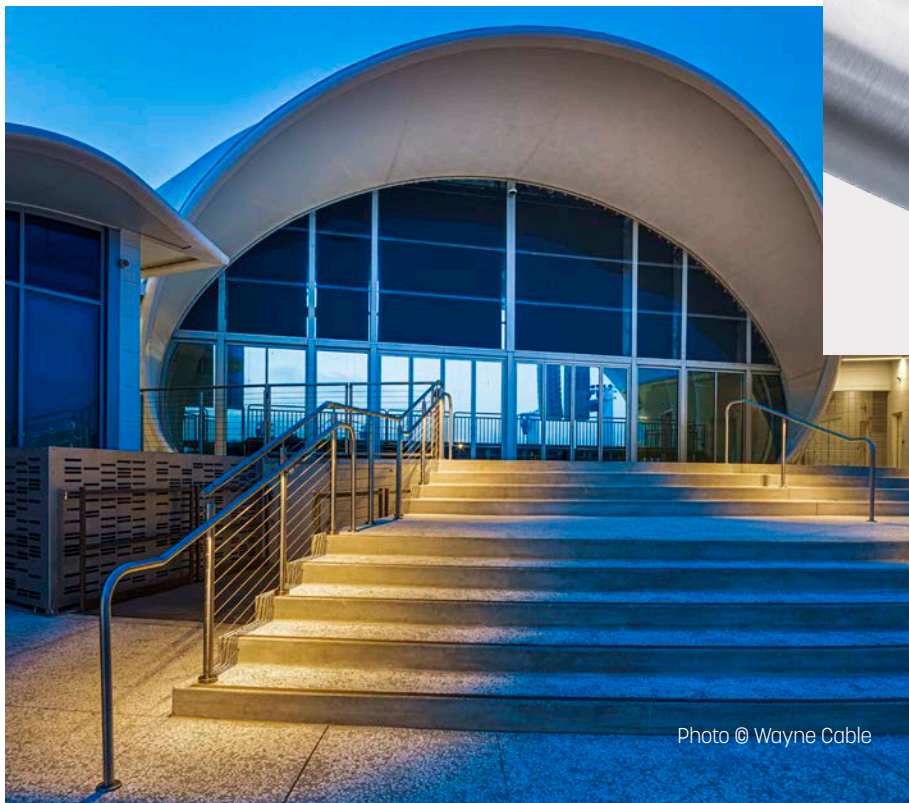
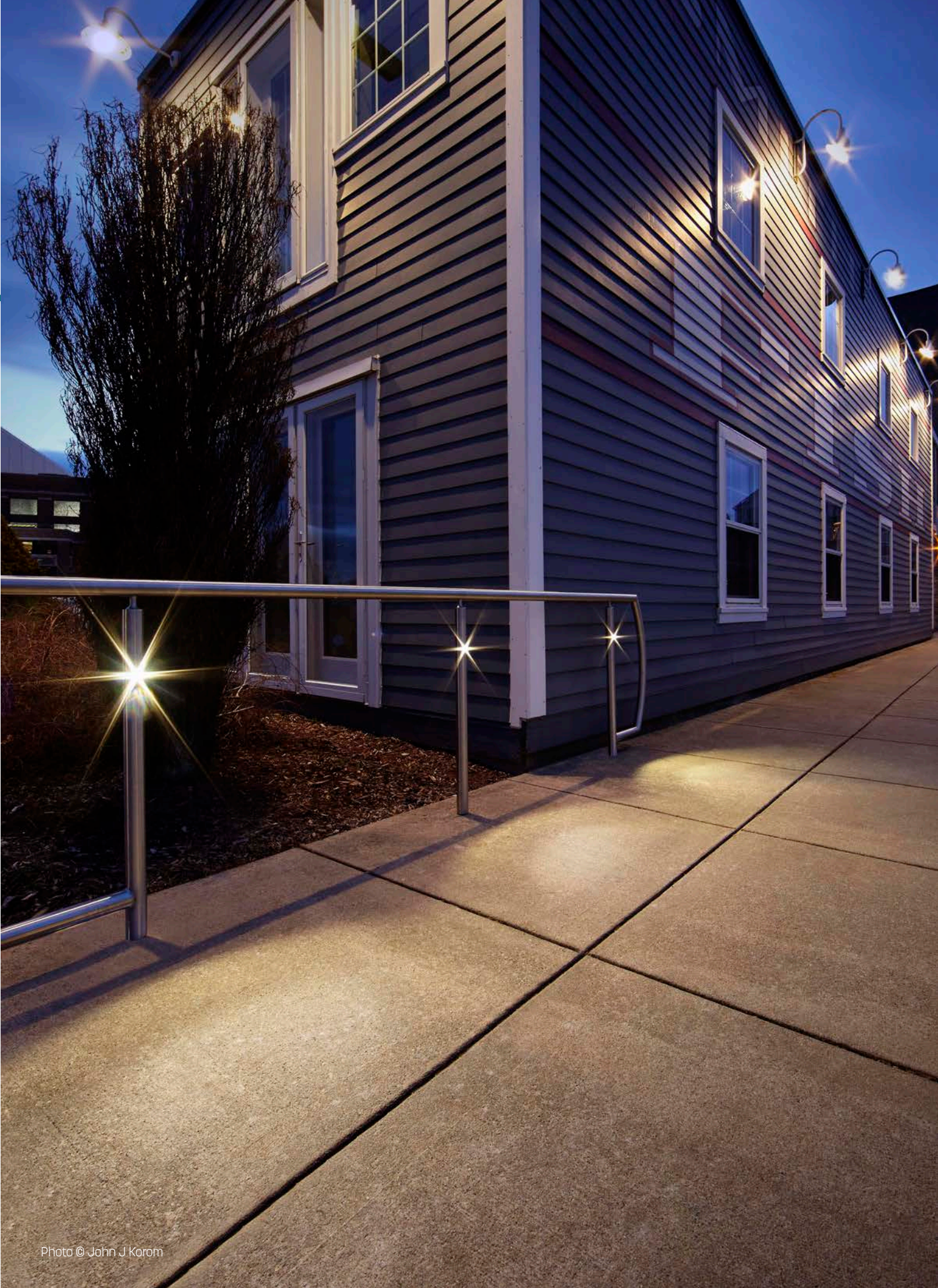


Photo © Wayne Cable

The Rady Shell
Jacobs Park, San Diego, CA
Design: Tucker Sadler Architects, HLB
Lumenpod® 28, Symmetric, 3000 K



Photo © Wayne Cable



Lumenpod® 30

Integrated Post Luminaire

This architectural systems Lumenrail® product leverages the vertical elements of a post mounted railing system. The fixtures output has a main beam angle at 35° above nadir with an asymmetric throw that provides a spectacular crescent of illumination across paths, ramps and stairs.

Its machined stainless steel body fits perfectly flush in 1.90" pipe with a simple push-in installation and dedicated removal tool for vandal resistance. Lumenpod® 30 provides a no-profile architectural solution for new or retrofit applications and egress compliance opportunities with 2.2 system watts @ 500mA and 95 lumens.



Photo © John J Korom

Port Washington Marina
Port Washington, WI
Port Washington Community Development Authority
Lumenpod® 30, 3000 K



Photo © Iwan Baan

Bantam™

Post Surface Luminaire



*Statue of Liberty Museum
New York City, NY
Architect: FXCollaborative
Bantam™ XTF, 3000 K*

*Squibb Park Bridge
Brooklyn, New York City
Architect: Arup
Bantam™ XTR, 3500 K*

Our original stainless steel post mount luminaire was designed to support all the Lumenpod® 16 performance options, outside of the rail. The 10° above nadir bias is machined-in to push the output onto the pathway or graze off a wall surface. Superior harsh environment protection and vandal resistance are achieved through a simple field or factory prepared installation with the included 316 pinned hardware.

Bantam™ provides an inconspicuous architectural solution, from round or flat posts, with 2.2 system watts @ 500mA and 95 lumens.

*Hotel del Coronado
San Diego, California
Architect: Elisha Babcock
Jr. and Hampton L. Story
Bantam™ XTF, 2700 K*

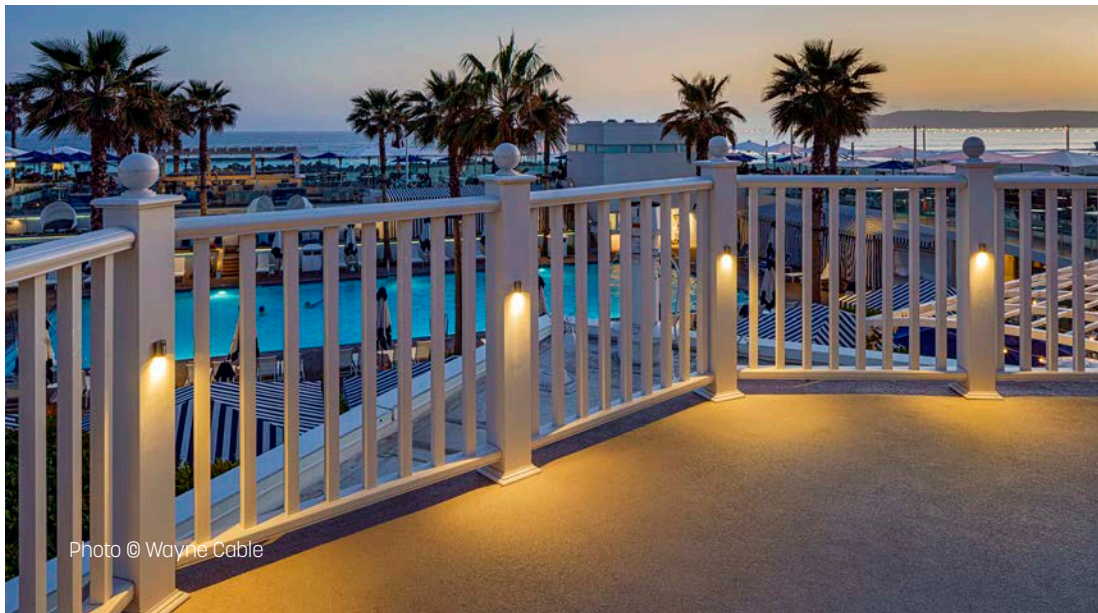


Photo © Wayne Cable



Photo © John Bartelstone



Bantam™ SQ

Post Surface Luminaire

The latest Bantam™ design features a chiseled stainless steel form factor to augment square posts, hollow flat stock, or other flat surface applications. With identical internal machined features to the original Bantam's 10° forward throw, the full scope of Lumenpod® 16 performance options are available to specify. IK10 vandal resistance is combined with an IP68 ingress rating for ultimate security in severe environments. The single fastener installation uses an included 316 pinned machine screw.

The Bantam™ SQ's rectilinear housing design provides a purposeful architectural solution, with 2.2 system watts @ 500mA and 95 lumens.



Photo © Wayne Cable

Ally Charlotte Center
Charlotte, NC
Architect: Little Diversified Architectural Consulting
Fabrication Partner: Stainless Steel Fabricators Inc.
Bantam™ SQ, XTS, 3500 K



Photo © Kroo Photography

Lumenlinear™

Linear Luminaire

Van Leesten Memorial Bridge
 Rhode Island Department of Transportation
 Providence, RI
 Design: INFORM Studios
 Lumenlinear™, Symmetric & Asymmetric, 3000 K

Our linear product is a state-of-the-art, low-voltage LED light fixture that provides exceptional lighting performance to enhance any stairway, ramp or walkway application. Its soft light provides ample illumination for safety and ambiance without the glare or harshness of overhead lighting. Lumenlinear™ is available with warm, neutral or cool white color temperatures and a range of solid color options for static hues. Standard low, mid and high output offerings make Lumenlinear a highly flexible and practical solution for adding beauty and light to your life-safety installations.

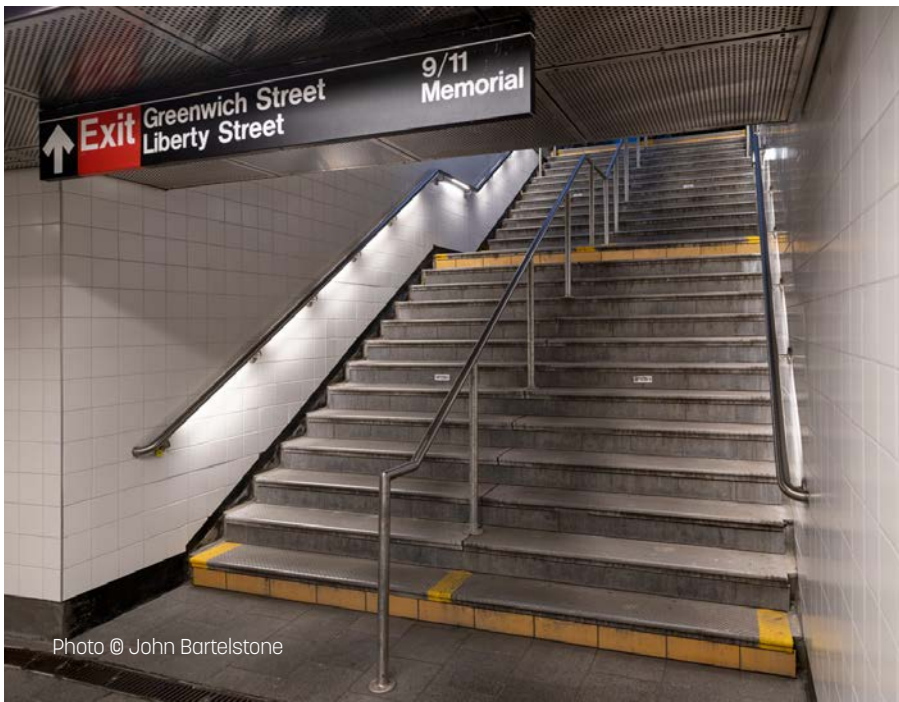


Photo © John Bartelstone

NYCT Cortlandt St Station
 New York City, NY
 Architect: STV
 Lumenlinear™, 4000 K

Kravis Center
 West Palm Beach, FL
 Design: Leo A Daly, WGI
 Lumenlinear™, 3000 K



Photo © Wayne Cable

Strong Finish

Standard Powder-Coat Paint

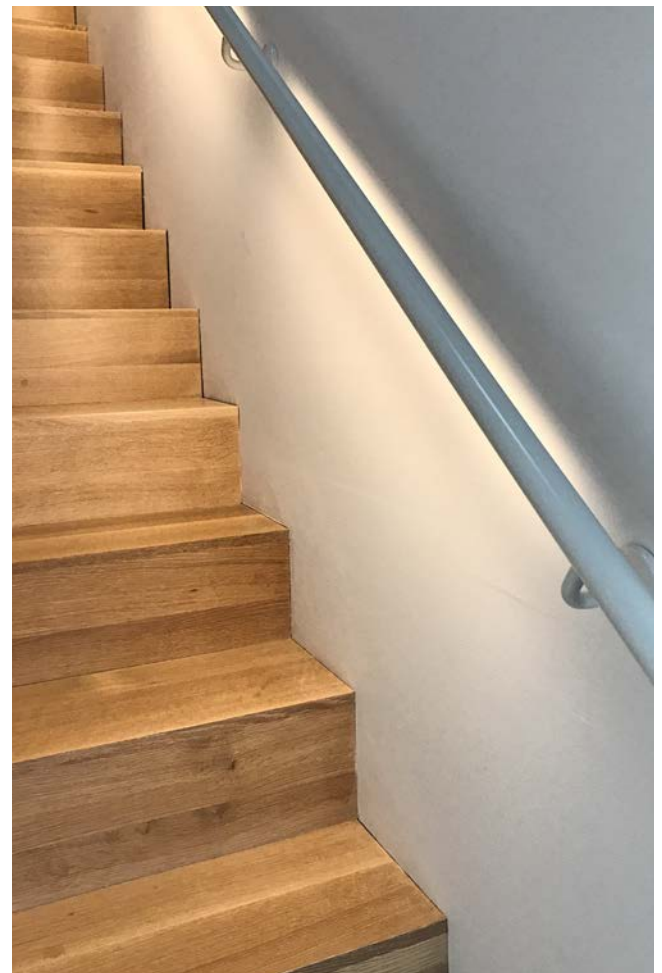
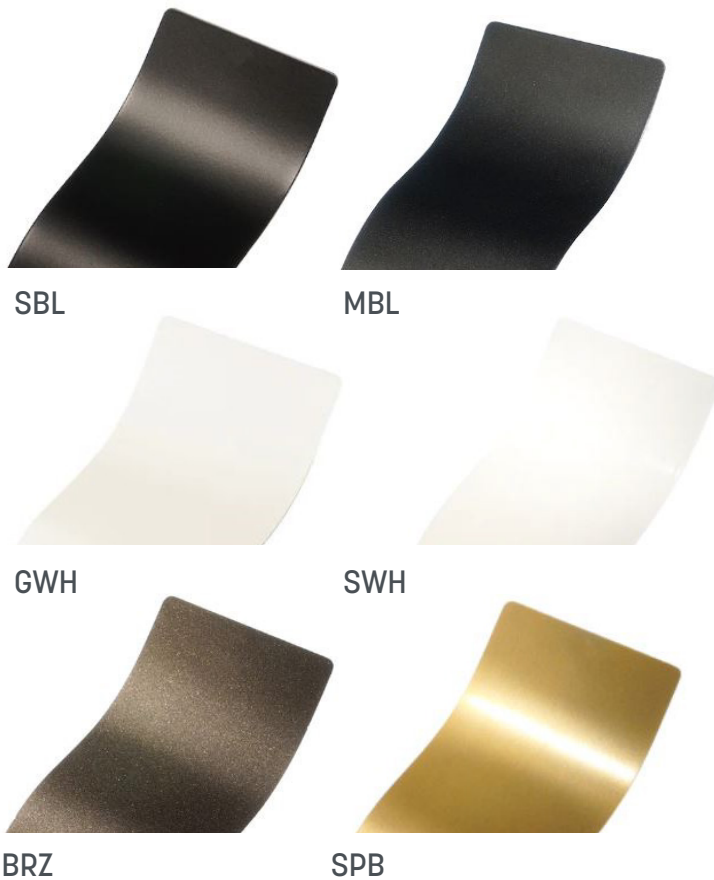


Wagner Architectural Systems provides several standard painted finish options for our Lumenrail® illuminated handrail systems. We use standard powder-coat finishes in an exterior grade, UV rated, thermo-cure, polyester resin from our finish applicator. These powder-coat finishes are applied over a stainless steel base material for structural integrity and code compliance.

Our Available Standard Color Options:

- Satin Black - SBL
- Gloss White - GWH
- Satin Architectural Bronze - BRZ
- RAL color matching – RAL-XXXX
- Matte Black - MBL
- Satin White - SWH
- Satin Polished Brass - SPB

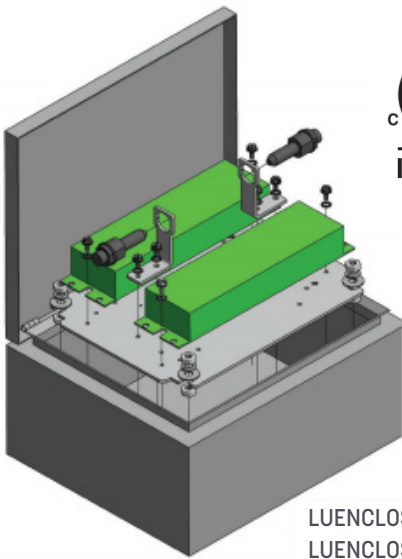
RAL indicates a standardized color matching system. Either a specific RAL designation or samples to match are required. Minimum order quantities (lbs.) apply.



Screen and printer colors are only representative of finishes due to resolution or print quality. It is strongly recommended that color sample chips are requested, to validate the actual finish.

Lumengear™

System Power & Safety



LUENCLOSURE4XM or
LUENCLOSURE4XSS
LUDRIVERDM100WACE
LUFUSEKIT

Wagner offers multiple ETL listed options for both 24VDC power supplies and NEMA 4X enclosures. Quantities and types will be configured based on your specifications and design. Additional specification options are available on request.

CLASS II DRIVERS:

- STD 25W, 100W, 288W (3 X 98W Circuits)
- Dali, DMX, 0-10V PWM Dimming Protocols
- Made in USA Units Available

NEMA 4X GASKETED ENCLOSURES:

- Polycarbonate: 10.03" X 7.08" X 4.92"
- Painted Steel: 11.81" X 9.84" X 5.91"
- Stainless Steel: 11.81" X 9.84" X 5.91"

LUMENEM - EMERGENCY BACK-UP SYSTEMS

- **Enclosure** - NEMA 4X, IP65, powder-coated, locking, gasketed lid, welded steel enclosure 15.75" X 11.81" X 5.91"
- **Driver** - Driver, 100W, 24VDC Output, 120V-277 Input
- 0-10V PWM Dimming
- **LED Indicator/Test Switch** - Integrated harness assembly

LUSYSEM-INV

- **Inverter** - Auto-test sine wave output inverter, automatically supplies up to 30W 120-277VAC to the driver
- UL Listed Class 2: UL 924. *All lumenrail systems*

OR

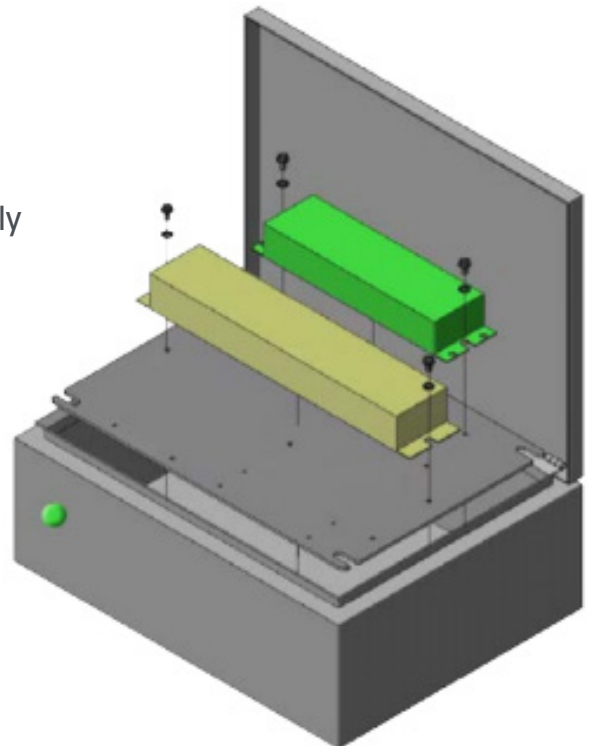
LUSYSEM-90

- **Controller/Battery** - Constant power backup, current input range of 363mA-1330mA
- Input voltage range: 15-55 VDC
- Listed Class 2: UL 924. *Lumenrail Lumenlinear only*

PERFORMANCE :

- Capability to achieve code-compliant lumen output for a minimum of 90 minutes. Run lengths are dependent on fixture/wattage specifications

Not all options apply to all products—please verify compatibility prior to order.



All LumenEM Emergency Back-Up Systems come fully assembled from the factory and are made-to-order per specification.

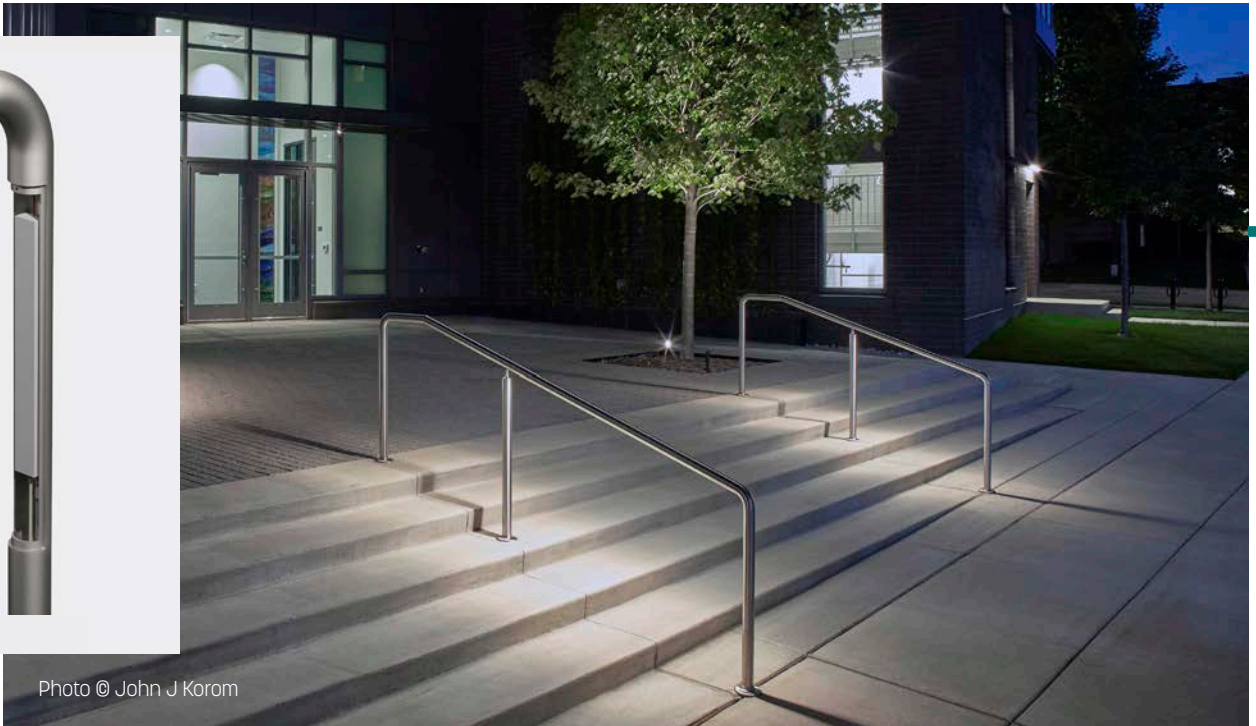


Photo © John J Korom

Lumenpost™

Integrated Post Driver

*Marquette University, The Commons
Milwaukee, WI
Architect: Workshop Architects
Lumenlinear™, 3500 K & Lumenpost™,
100W Dimming Driver*

Our cast driver enclosure body was designed with features for ease of installation, service convenience and compliance-based structural integrity. This 316 stainless steel enclosure is integrated into only Wagner fabricated 1.90" diameter, schedule 40 posts for aesthetic uniformity throughout the handrail system.

Lumenpost™ was created to endure harsh environmental conditions and resist vandal abuse using the included tamper proof 316 stainless steel pinned fastener. Industry-leading integrated wattage, code compliance and quality Wagner craftsmanship completes any installation—powerfully, safely and beautifully.

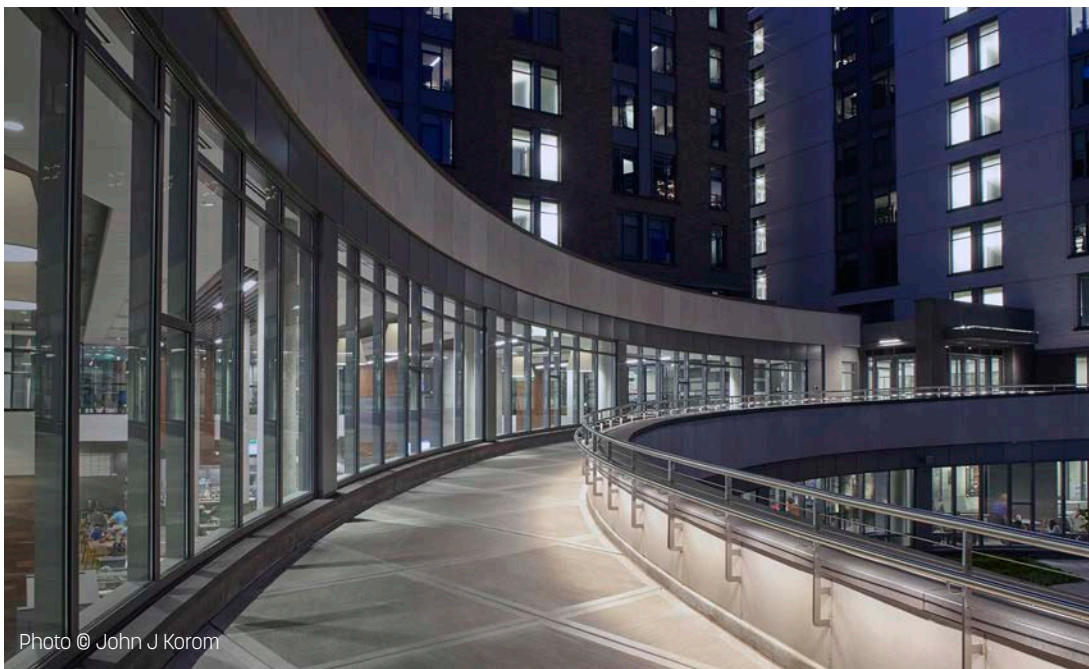
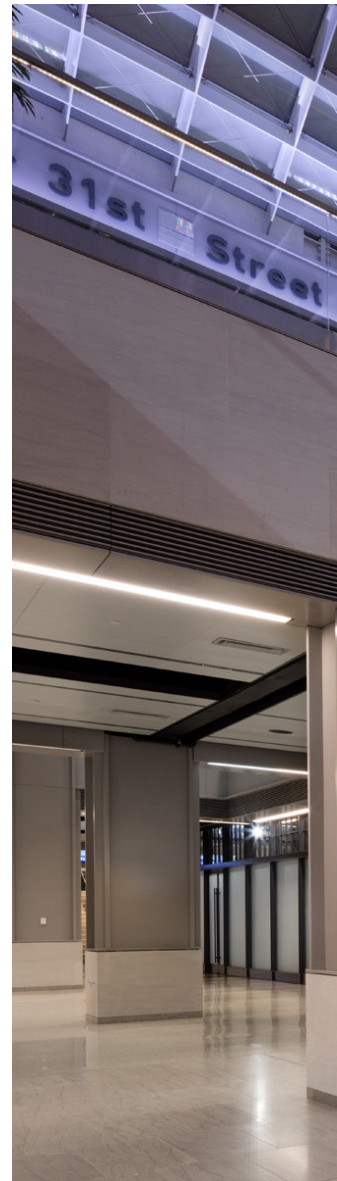


Photo © John J Korom

Code and Compliance

Your Life Safety Experts

Prior to using any railing products, it is incumbent on designers, fabricators and installers to make themselves familiar with the local codes and standards that apply to their applications. Wagner can help you meet the demands of your local authority having jurisdiction. We have been active in the world of codes and standards for over 45 years with over 65 years of experience in the handrailing industry. Our Engineers are code experts, designing custom systems to meet IBC, ADA, NFPA and the NEC requirements.

To learn more about our collaborative design approach and incorporating our safe, reliable and high-performing life safety products on your next project, visit WagnerCompanies.com or call us at 888-243-6914.

Moynihan Train Hall

New York City, NY

Design: McKim, Mead and White, DGA

Lumenlinear™, 3000 K

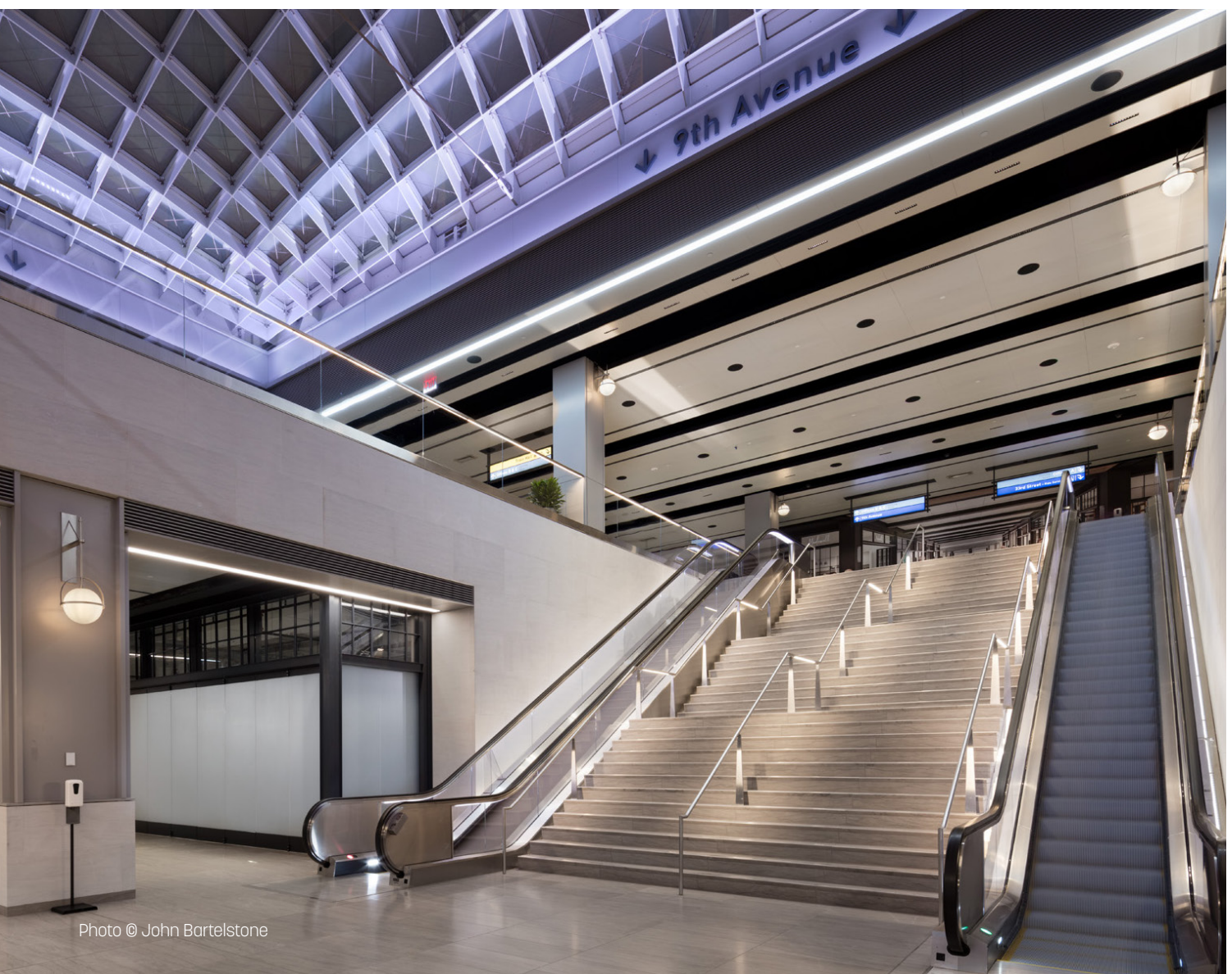


Photo © John Bartelstone

SiteRacks™

Architectural Strength Illumination™

Transform your outdoor areas with the stunning aesthetics of SiteRack™ illuminated bicycle racks. Wagner's SiteRacks seamlessly combine the brilliance and efficiency of Lumenpod® 16 light fixtures with the robust durability of premium 316 stainless steel. Choose from four distinctive sculptural models: Kitch™, Queue™, Ribbon™ and Moonrise™. Each rack is meticulously hand-welded in Milwaukee, WI, to withstand the rigors of high-traffic installation sites.

The integrated LED fixtures deliver reliable performance, significantly enhancing safety and wayfinding, especially at night. These illuminated bike racks reduce the risk of accidents and theft, while creating a welcoming, secure environment for cyclists.



Moonrise™ SiteRack™



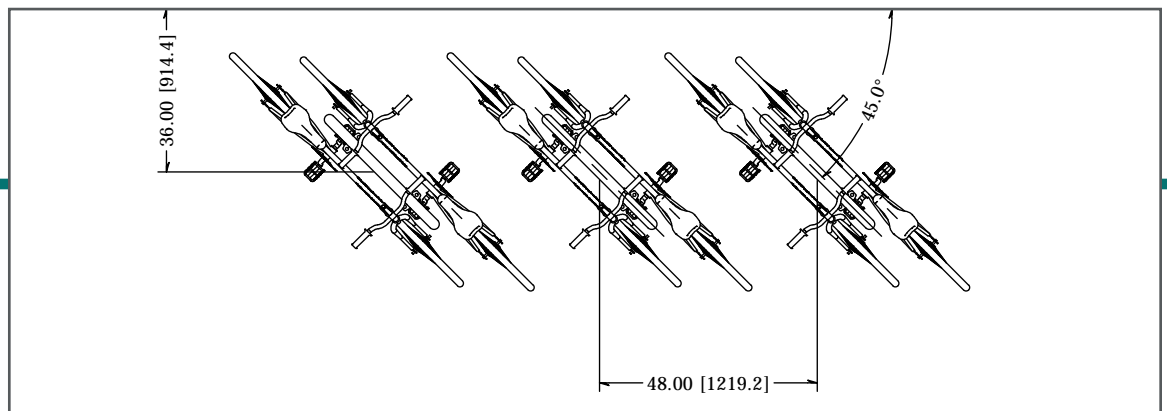
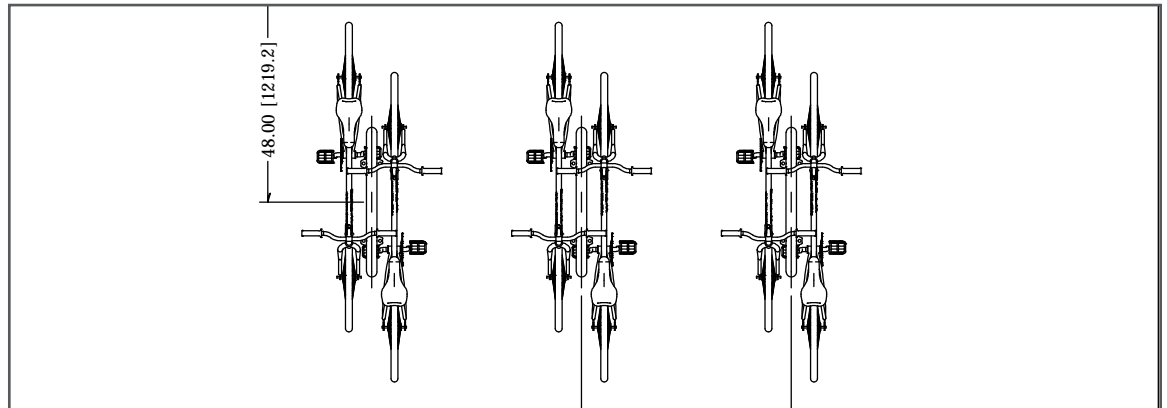
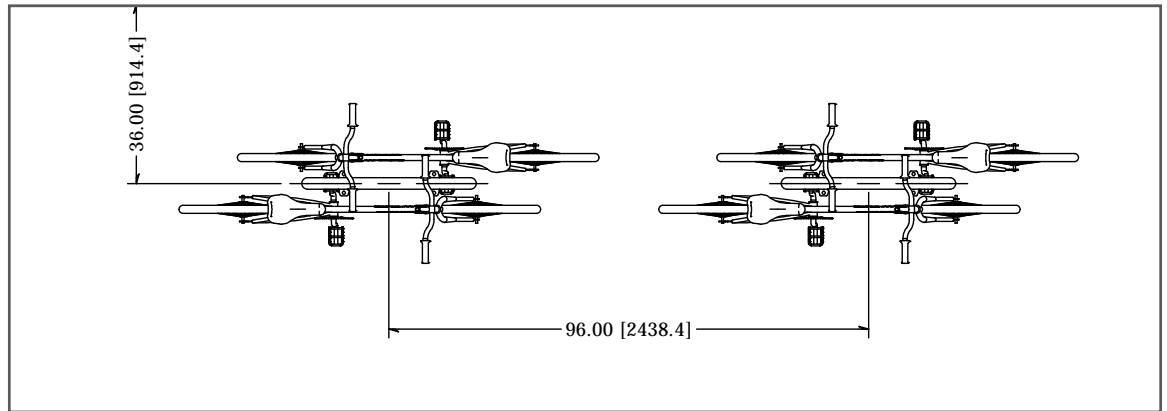
Kitch™ SiteRack™



Queue™ SiteRack™



Ribbon™ SiteRack™



SiteRack™ Features

- Robust, fully welded stainless steel structure
- CNC-machined solid 316 stainless steel LED light engine
- Embed or surface mount options available
- 116 lumens per watt LED (500 mA)
- IK10 impact rating and secure installation
- Compatible with Lumengear™ LED drive and enclosure options
- Operates at 24VDC
- ETL listed for wet locations
- IP67 ingress protection
- Available in standard options of 2700 K, 3000 K and 4000 K
- Solid color LED options available



Photo © Wayne Cable

Wagner Service

Partnering With You

*Lewis & Clark Caverns
State Park
Whitehall, MT
Lumenpod® 28,
Asymmetric, 3000 K*

Wagner is pleased to offer field dimensioning, technical consultation services and turnkey installation solutions for your Lumenrail® system. Our support services allow you to leverage our knowledge and expertise to ensure a competent and on-schedule finish for your next specification.

Eliminate the guesswork from your project by partnering with Wagner Service and allow us to help you get the job done. Wagner is here to support you through any, or every step of your application.



Ready to get started?

We look forward to accepting your request for quotes on all your upcoming projects. Send your project to rfq@mailwagner.com.

Lumenrail® Service Options

From Concept to Completion

Package 1: Field Measurements

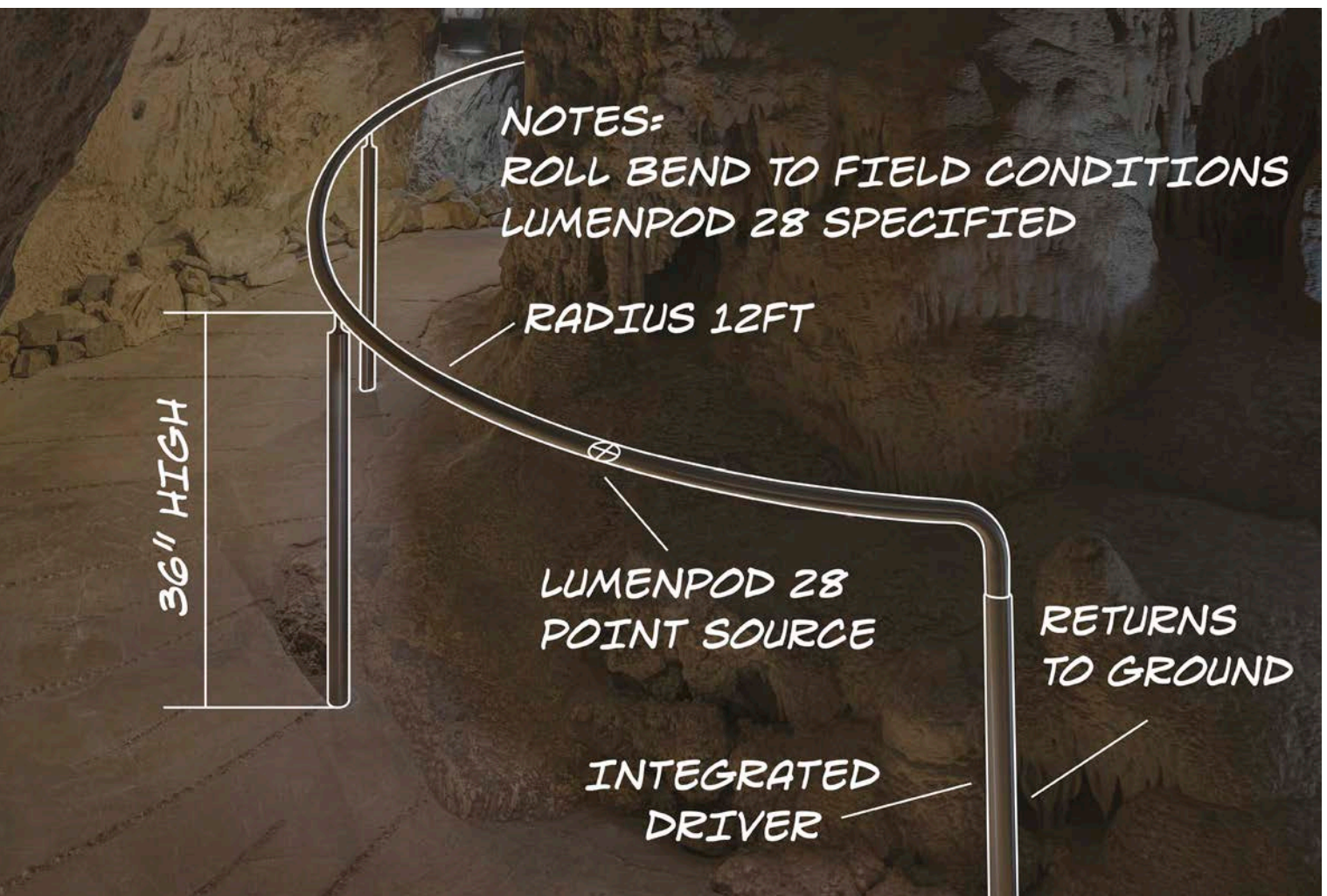
Work with Wagner to obtain the proper field measurements for your railing system. Our product experts will go on-site to gather all critical dimensions through our point cloud scanning services.

Package 2: Site Support

Wagner can offer you technical, consultative support to assist you in your railing installation. For this package, you will provide us with your own field dimensions, and upon receiving your railing system materials our experts will be on-site to guide you through assembly and installation.

Package 3: Turnkey

Turnkey service is our ultimate service package—we will provide you with the proper field dimensions, as well as the installation of your railing system by one of our partners. The complete installation of your railing system will include all fitting, cutting, welding, polishing and anchoring that will be required for occupancy.



Wagner Systems

Additional Architectural Railing

Along with the Lumenrail® illuminated railing systems, Wagner offers a full range of contemporary, high-quality railing systems and accessories that can be specified independently or combined to create incredible, easy-to-install, interior and exterior applications.

Cable Railing

- Swageless fittings for 1/8" and 3/16" diameter cable are easy to install
- Swaged fittings allow smaller holes in intermediate posts
- Posts, cable, clamps, braces and hardware are available

Glass Railing

- Level Lock Plus™ and PanelGrip® aluminum shoe mouldings provide easy, fast and adjustable installation
- Legato™ round, square and blade post railing systems available in surface, embed or fascia mount
- Glass components and top rail also available

Aluminum Railing

- Strength, durability and low maintenance
- Provided as components or pre-fabricated, and ready to install

Shady Side Academy
Pittsburgh, PA
Architect: Strada Architects
Lumenpod® 28, Asymmetric, 4000 K

Moynihah Train Hall
New York City, NY
Architect: McKim, Mead and White
Lumenlinear™, 3500 K

BACK COVER: The Rady Shell
Jacobs Park, San Diego, CA
Design: Tucker Sadler Architects, HLB
Lumenpod® 28, Symmetric, 3000 K

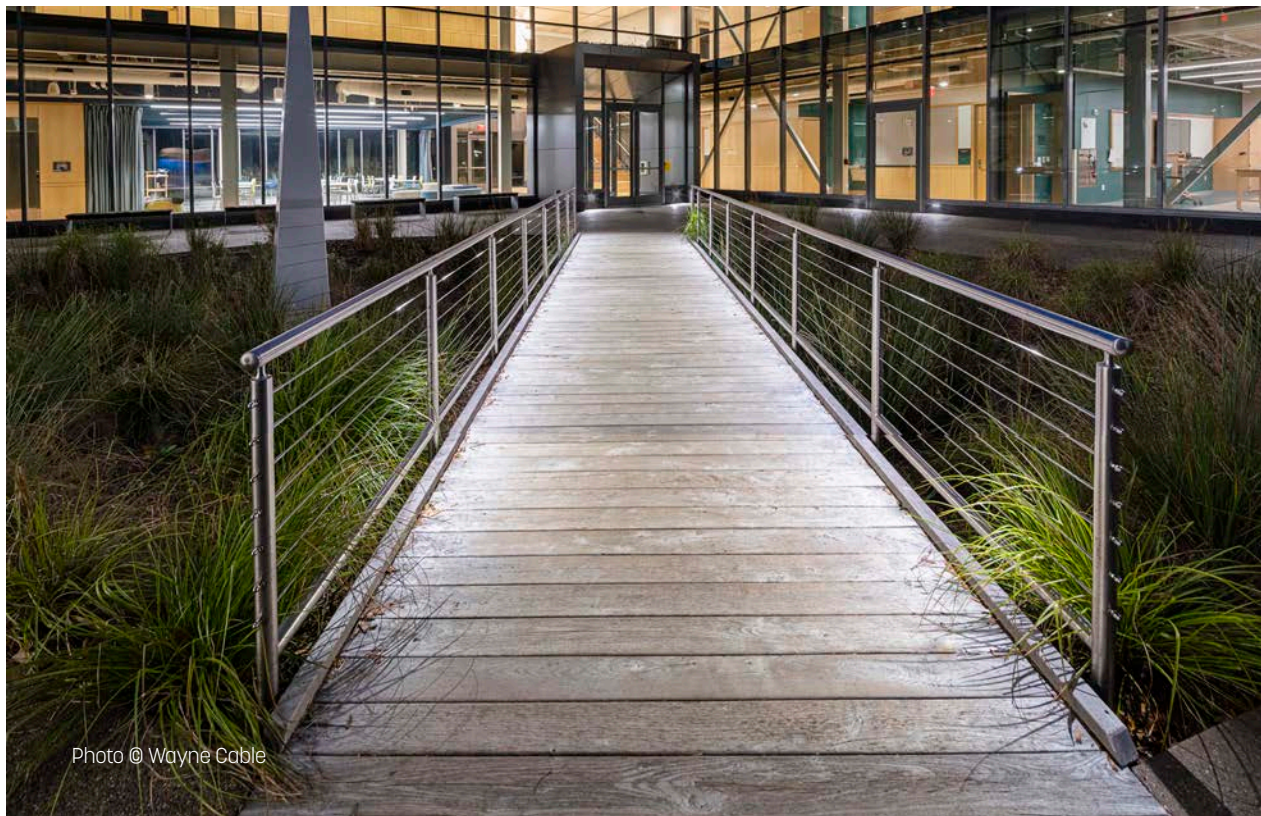


Photo © Wayne Cable



Photo © John Bartelstone



Photo © Nic Lehoux



The International Spy Museum
 Washington, DC
 Architect: Rogers Stirk Harbour + Partners
 Lighting Design: Available Light
 Lumenlinear™, Asymmetric, 3000 K

Taylor Yards Bridge
 City of Los Angeles
 Los Angeles, CA
 Architect: SPF:architects
 Lumenpod® 16, 3000 K, 70° Optic
 Rotated @ 25° Above Nadir

Van Leesten Memorial Bridge
 Rhode Island Department of Transportation
 Providence, RI
 Design: INFORM Studios
 Lumenlinear™, Symmetric & Asymmetric, 3000 K

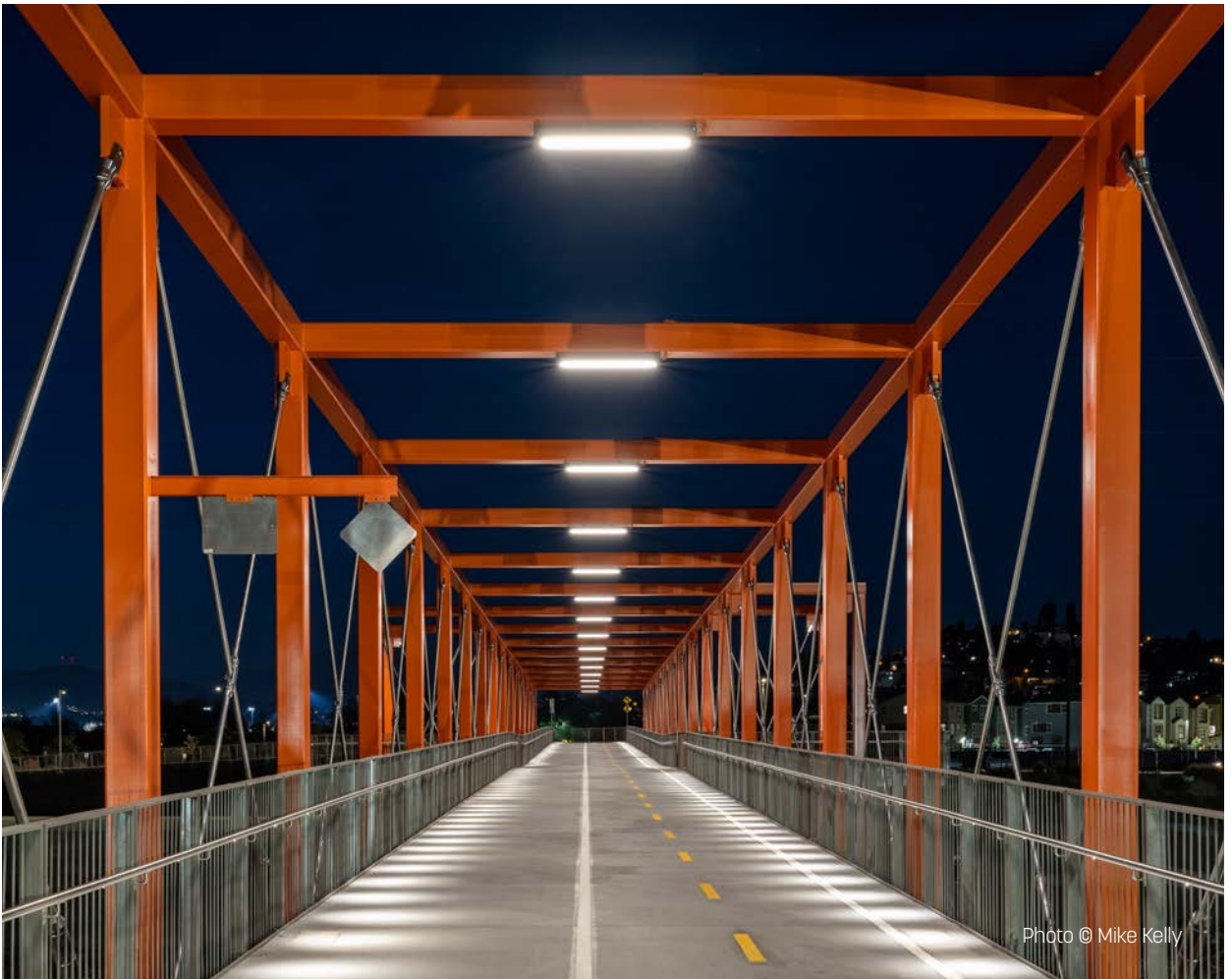


Photo © Mike Kelly



Photo © Wayne Cable

 @wagnercompanies

 **WAGNER**
Architectural Systems

888-243-6914 // rfq@mailwagner.com
10600 West Brown Deer Road // Milwaukee, WI 53224, USA

LUSY BROCK R-
© 2025 R&B Wagner, Inc. All Rights Reserved.
WagnerCompanies.com