

LUMENGEAR™ SYSTEM POWER COMPONENT OPTIONS

Design Specifications

Another Lumenrail® System for Life Safety and Light



SCAN QR CODE
for technical information,
downloads and instructions.

4X NEMA ENCLOSURES

LUENCLOSURE4XP

- \$ Standard: NEMA 4X
- IP67
- Molded Polycarbonate
- External Mounting Feet Kit
- UL-94 V0 Flame Retardant
- Continuous Lid Gasket
- Integral Screw-Down Top
- Universal Mounting Plate
- 10.03" X 7.08" X 4.92"



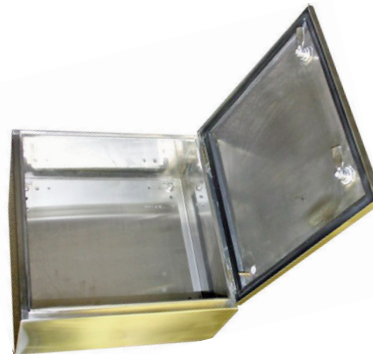
LUENCLOSURE4XM

- \$\$ Option: NEMA 4X
- IP65
- Power-Coated, Welded Steel
- External Mounting Brackets
- Hinged Top With Locking Latch
- Continuous Lid Gasket
- Universal Mounting Plate
- 11.81" X 9.84" X 5.91"

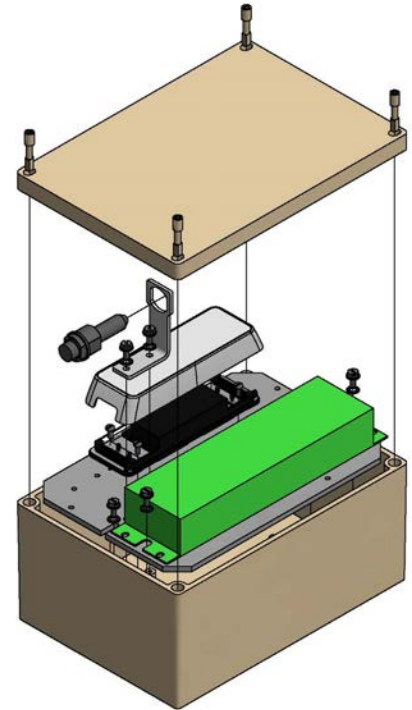


LUENCLOSURE4XSS

- \$\$\$ Option: NEMA 4X
- IP65
- Welded 304 Stainless Steel
- External Mounting Brackets
- Hinged Top With Locking Latch
- Continuous Lid Gasket
- Universal Mounting Plate
- 11.81" X 9.84" X 5.91"



Example Assembly:
Lumenrail Driver, Enclosure and Options



LUENCLOSURE4XP
LUDRIVERDM100WACE +
LUCNTDALIELD
LUFUSEKIT

Lumenrail® Architectural System supplied enclosures are ETL approved to hold:

- One or two standard 100W drivers OR
- One standard 100W and one Dali or DMX controller OR
- One Made in the USA 100W driver AND
- One fuse kit per/driver OR
- One surge kit per/enclosure

All of the Lumengear™ system assemblies are **UL8750** listed for use with the combinations above, when supplied with a Lumenrail fabricated railing system, and required for warranty.

Not all options apply to all products, please verify compatibility with the factory.

 @wagnercompanies

 **WAGNER**
Architectural Systems

888-243-6914 // rfq@mailwagner.com
10600 West Brown Deer Road // Milwaukee, WI 53224, USA

© 2023 R&B Wagner, Inc. All Rights Reserved.
WagnerCompanies.com
LUSY DRVENC R4



LUMENGear™ SYSTEM POWER COMPONENT OPTIONS

Design Specifications

Another Lumenrail® System for Life Safety and Light

All Lumengear™ system assemblies are **UL8750** listed, when supplied with a Lumenrail system and are required for product & system warranties.



SCAN QR CODE
for technical information,
downloads and instructions.

CLASS II DRIVERS AND DIMMING PROTOCOL CONTROLLERS

LUDRIVERDM100WACE (11-42 Lumenpods)

§ Standard: 100W, 120-277VAC Input, 24VDC Output, 0-10V PWM 15% Dimming 9.5" X 2.4" X 1.46"



LUDRIVERDM25WACE (1-10 Lumenpods)

§ Standard: 25W, 120-277VAC Input, 24VDC Output, 0-10V PWM 15% Dimming 9.5" X 1.7" X 1.14"



LUDRIVERDM100WUSA (11-26 Lumenpods)

§§ Made in USA Option: 100W, 120-277VAC Input, 24VDC Output, 0-10V PWM 10% Dimming 6" X 3.6" X 1.5"



LUCNTDALIED or LUCNTDMXELD (Lumenlinear Only)

§§§ Dimming Controllers: DALI or DMX, one per driver



Not all options apply to all products, please verify compatibility with the factory.

@wagnercompanies



888-243-6914 // rfq@mailwagner.com
10600 West Brown Deer Road // Milwaukee, WI 53224, USA

LUDRIVERDM288WCOR

(11 - 42 Lumenpods per circuit (126 total))

§§ Upgrade: 288W (3 X 96W) ,120-277VAC Input, 24VDC Output 0-10V PWM, 1% Dimming, Integrated Wire Enclosure, Class 2, UL/cUL Wet Listed, IP66 Rated. 11.85" X 4.25" X 1.81"

Displaces (2) Enclosures and (3) Standard Drivers.



OPTIONS

LUSURGEKIT

Surge Protection, one per enclosure



LUFUSEKIT

Fusing, one per driver



LUPOST (11-42 Lumenpods)

§§§ Lumenpost™ Integrated: 100W, 120-277VAC Input, 24VDC Output, 0-10V PWM 10% Dimming



Lumenpost™ is only available in fabricated Lumenrail® System assemblies in 1.90" D SS



Intertek

All electrical connections to be made by a qualified electrician in accordance with all national, state and local electrical codes.