

ENDURALL™ How to Buy Guide

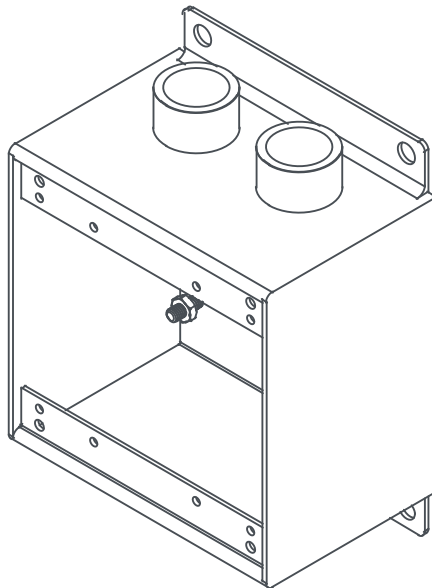
Double Gang Stainless Steel Junction and Device Box

Identifying the correct customized ENDURALL™ Double Gang Electrical Junction and Device Box to meet your needs is easy. Please follow the steps below:

1. Review the product drawings on the last page to identify the location(s) for the knockout hole(s) or hub(s) desired (labeled A, B, C, D, E and F).
2. Review the Part Number Diagram below to understand how Wagner's customized ENDURALL™ Double Gang Electrical Junction and Device Box part numbers are constructed.
3. Locate the desired part number on the Part Number Table on the next page.
4. Contact our Customer Service Department at +1-888-243-6914 to place your order or inquire about pricing. Our knowledgeable team is happy to assist!

Part Number Diagram

BLM2	04SS	H	50	CDEF
BLM2 = Double Gang	16SS = 316 Stainless 04SS = 304 Stainless	H = With Hub KO = With Knockout	50 = 0.50" 75 = 0.75"	A = Top Knockout or Hub B = Bottom Knockout or Hub C = Top Left Knockout or Hub D = Top Right Knockout or Hub E = Bottom Left Knockout or Hub F = Bottom Right Knockout or Hub

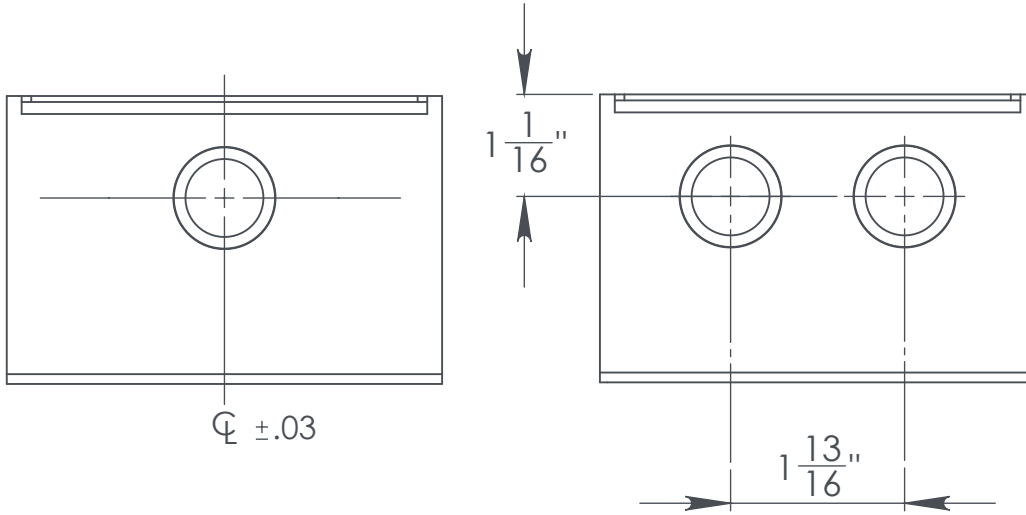


ENDURALL™ How to Buy Guide

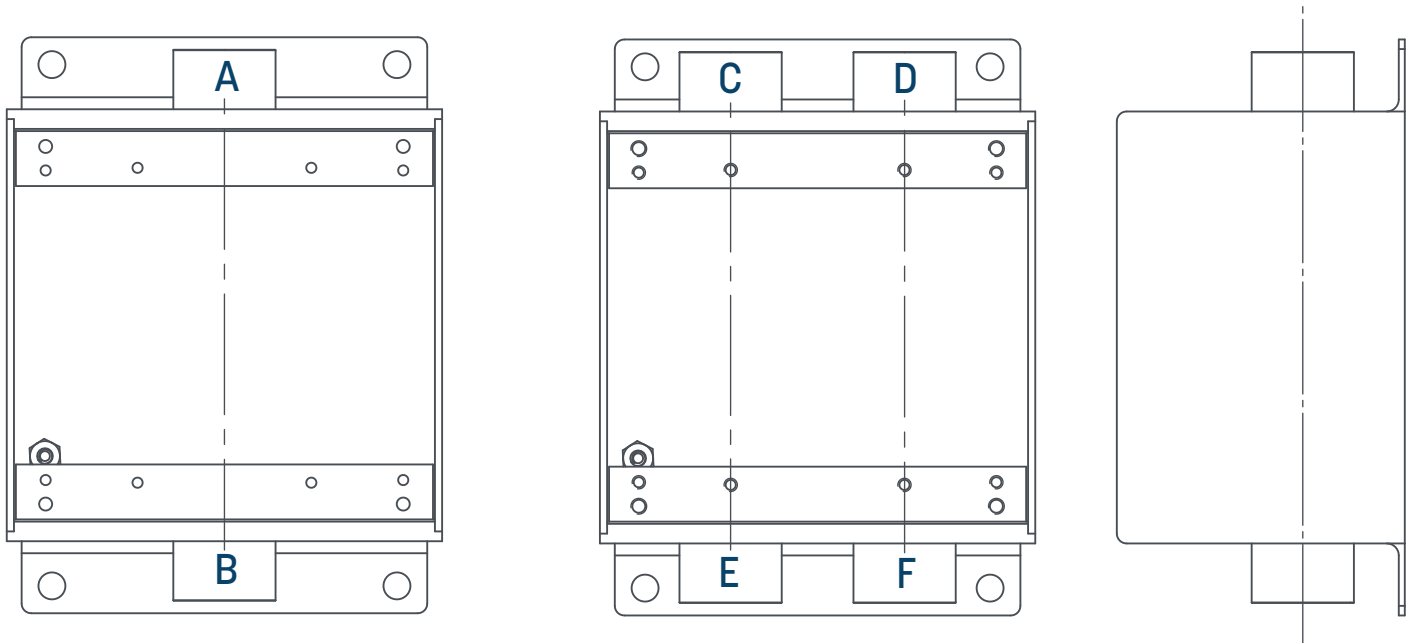
Double Gang Stainless Steel Junction and Device Box

Part Number Table

Part Number	Material	Accessory	KO Size
BLM2-04SS-H50A	304SS	With Hub	0.50
BLM2-04SS-H50AB	304SS	With Hub	0.50
BLM2-04SS-H50CD	304SS	With Hub	0.50
BLM2-04SS-H50CDE	304SS	With Hub	0.50
BLM2-04SS-H50CDEF	304SS	With Hub	0.50
BLM2-04SS-H75A	304SS	With Hub	0.75
BLM2-04SS-H75AB	304SS	With Hub	0.75
BLM2-04SS-H75CD	304SS	With Hub	0.75
BLM2-04SS-H75CDE	304SS	With Hub	0.75
BLM2-04SS-H75CDEF	304SS	With Hub	0.75
BLM2-04SS-K050A	304SS	With Knockout	0.50
BLM2-04SS-K050AB	304SS	With Knockout	0.50
BLM2-04SS-K050CD	304SS	With Knockout	0.50
BLM2-04SS-K050CDE	304SS	With Knockout	0.50
BLM2-04SS-K050CDEF	304SS	With Knockout	0.50
BLM2-04SS-K075A	304SS	With Knockout	0.75
BLM2-04SS-K075AB	304SS	With Knockout	0.75
BLM2-04SS-K075CD	304SS	With Knockout	0.75
BLM2-04SS-K075CDE	304SS	With Knockout	0.75
BLM2-04SS-K075CDEF	304SS	With Knockout	0.75
BLM2-16SS-H50A	316SS	With Hub	0.50
BLM2-16SS-H50AB	316SS	With Hub	0.50
BLM2-16SS-H50CD	316SS	With Hub	0.50
BLM2-16SS-H50CDE	316SS	With Hub	0.50
BLM2-16SS-H50CDEF	316SS	With Hub	0.50
BLM2-16SS-H75A	316SS	With Hub	0.75
BLM2-16SS-H75AB	316SS	With Hub	0.75
BLM2-16SS-H75CD	316SS	With Hub	0.75
BLM2-16SS-H75CDE	316SS	With Hub	0.75
BLM2-16SS-H75CDEF	316SS	With Hub	0.75
BLM2-16SS-K050A	316SS	With Knockout	0.50
BLM2-16SS-K050AB	316SS	With Knockout	0.50
BLM2-16SS-K050CD	316SS	With Knockout	0.50
BLM2-16SS-K050CDE	316SS	With Knockout	0.50
BLM2-16SS-K050CDEF	316SS	With Knockout	0.50
BLM2-16SS-K075A	316SS	With Knockout	0.75
BLM2-16SS-K075AB	316SS	With Knockout	0.75
BLM2-16SS-K075CD	316SS	With Knockout	0.75
BLM2-16SS-K075CDE	316SS	With Knockout	0.75
BLM2-16SS-K075CDEF	316SS	With Knockout	0.75



Front Views



Top Views

Side View