

# ENDURALL™ How to Buy Guide

## Single Gang Stainless Steel Junction and Device Box

Identifying the correct customized ENDURALL™ Single Gang Electrical Junction and Device Box to meet your needs is easy. Please follow the steps below:

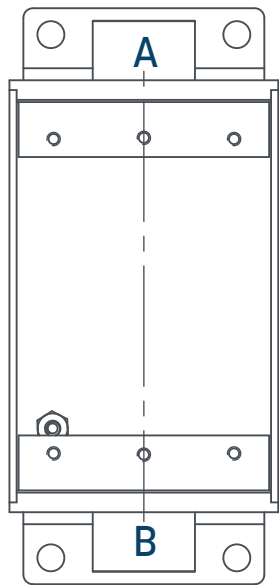
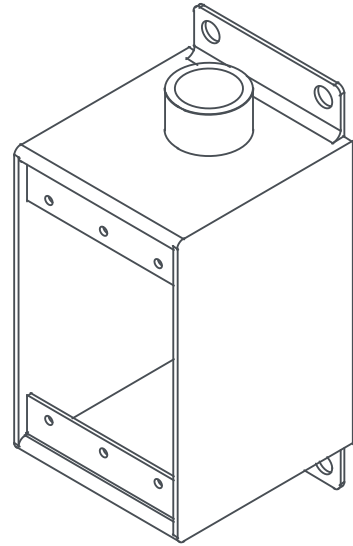
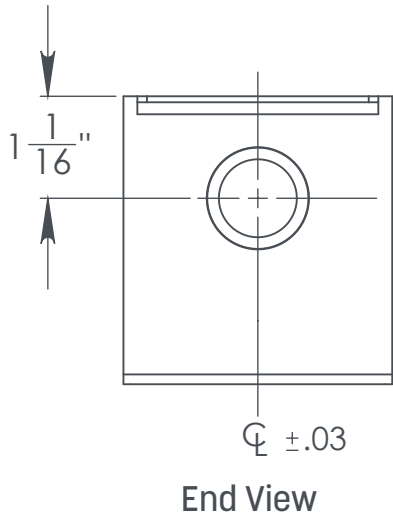
1. Review the product drawing on the next page to identify the location(s) for the knockout hole(s) or hub(s) desired (labeled A and B).
2. Review the Part Number Diagram below to understand how Wagner's customized ENDURALL™ Single Gang Electrical Junction and Device Box part numbers are constructed.
3. Locate the desired part number on the Part Number Table below.
4. Contact our Customer Service Department at +1-888-243-6914 to place your order or inquire about pricing. Our knowledgeable team is happy to assist!

### Part Number Diagram

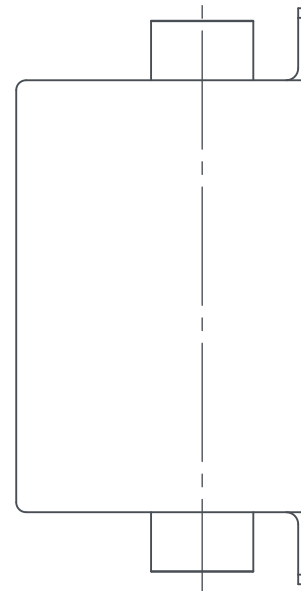
BLM1	04SS	H	50	AB
BLM1 = Single Gang	16SS = 316 Stainless 04SS = 304 Stainless	H = With Hub KO = With Knockout	50 = 0.50" 75 = 0.75"	A = Top Knockout or Hub B = Bottom Knockout or Hub

### Part Number Table

Part Number	Material	Accessory	KO Size
BLM1-04SS-H50A	304SS	With Hub	0.50
BLM1-04SS-H50AB	304SS	With Hub	0.50
BLM1-04SS-H75A	304SS	With Hub	0.75
BLM1-04SS-H75AB	304SS	With Hub	0.75
BLM1-04SS-K050A	304SS	With Knockout	0.50
BLM1-04SS-K050AB	304SS	With Knockout	0.50
BLM1-04SS-K075A	304SS	With Knockout	0.75
BLM1-04SS-K075AB	304SS	With Knockout	0.50
BLM1-16SS-H50A	316SS	With Hub	0.50
BLM1-16SS-H50AB	316SS	With Hub	0.50
BLM1-16SS-H75A	316SS	With Hub	0.75
BLM1-16SS-H75AB	316SS	With Hub	0.75
BLM1-16SS-K050A	316SS	With Knockout	0.50
BLM1-16SS-K050AB	316SS	With Knockout	0.50
BLM1-16SS-K075A	316SS	With Knockout	0.75
BLM1-16SS-K075AB	316SS	With Knockout	0.75



Top View



Side View